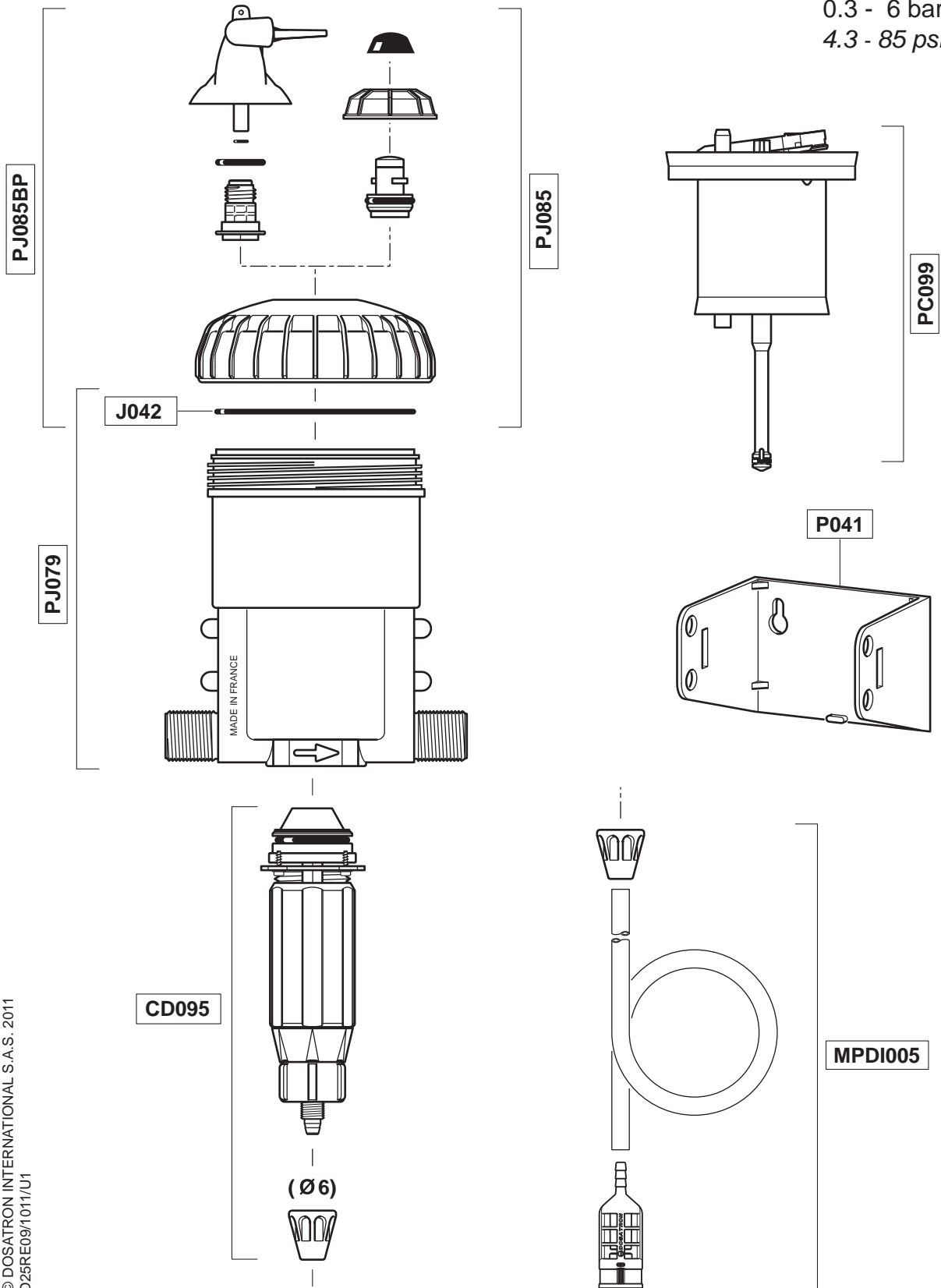


# D25RE09

2.5 m<sup>3</sup>/h - 0.1 - 0.9%  
11 GPM - 1:1000 - 1:111  
0.3 - 6 bar  
4.3 - 85 psi



# D25RE09

2.5 m<sup>3</sup>/h - 0.1 - 0.9%  
11 GPM - 1:1000 - 1:111  
0.3 - 6 bar  
4.3 - 85 psi

