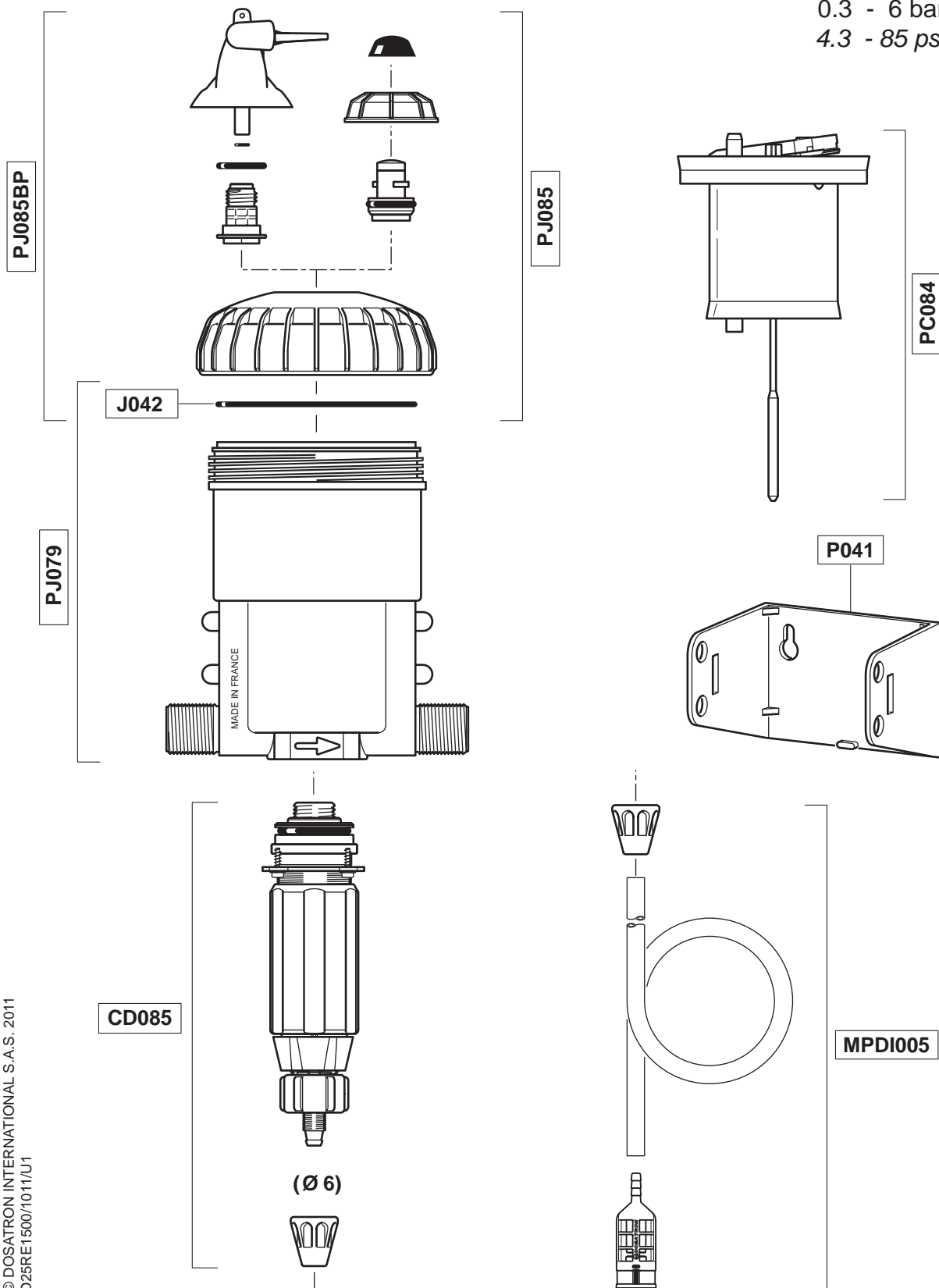


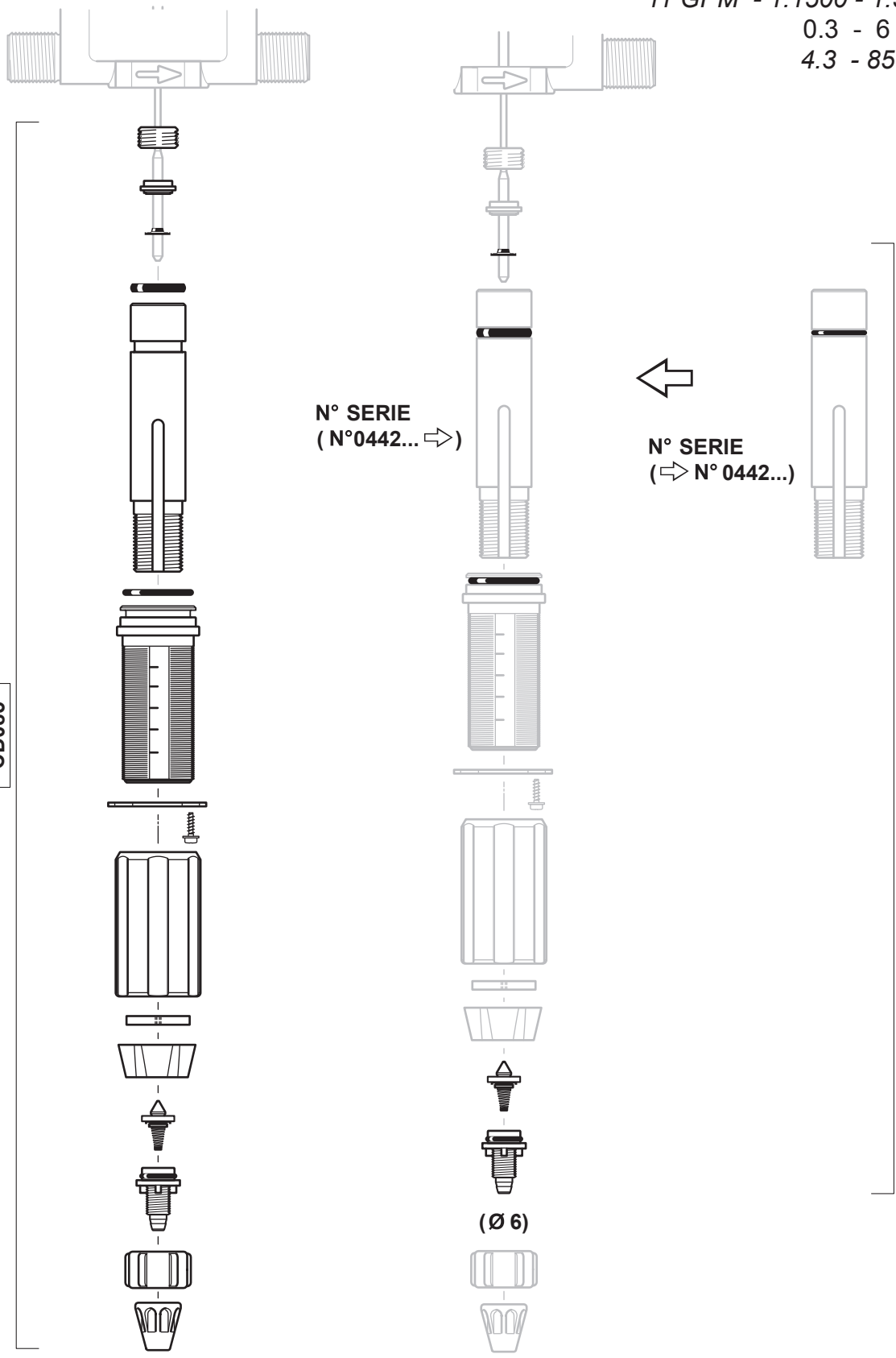
# D25RE1500

2.5 m<sup>3</sup>/h - 0.07 - 0.2%  
 11 GPM - 1:1500 - 1:500  
 0.3 - 6 bar  
 4.3 - 85 psi



# D25RE1500

2.5 m<sup>3</sup>/h - 0.07 - 0.2%  
 11 GPM - 1:1500 - 1:500  
 0.3 - 6 bar  
 4.3 - 85 psi



CD085

PJ118

© DOSATRON INTERNATIONAL S.A.S. 2011  
 D25RE1500/1011/U2