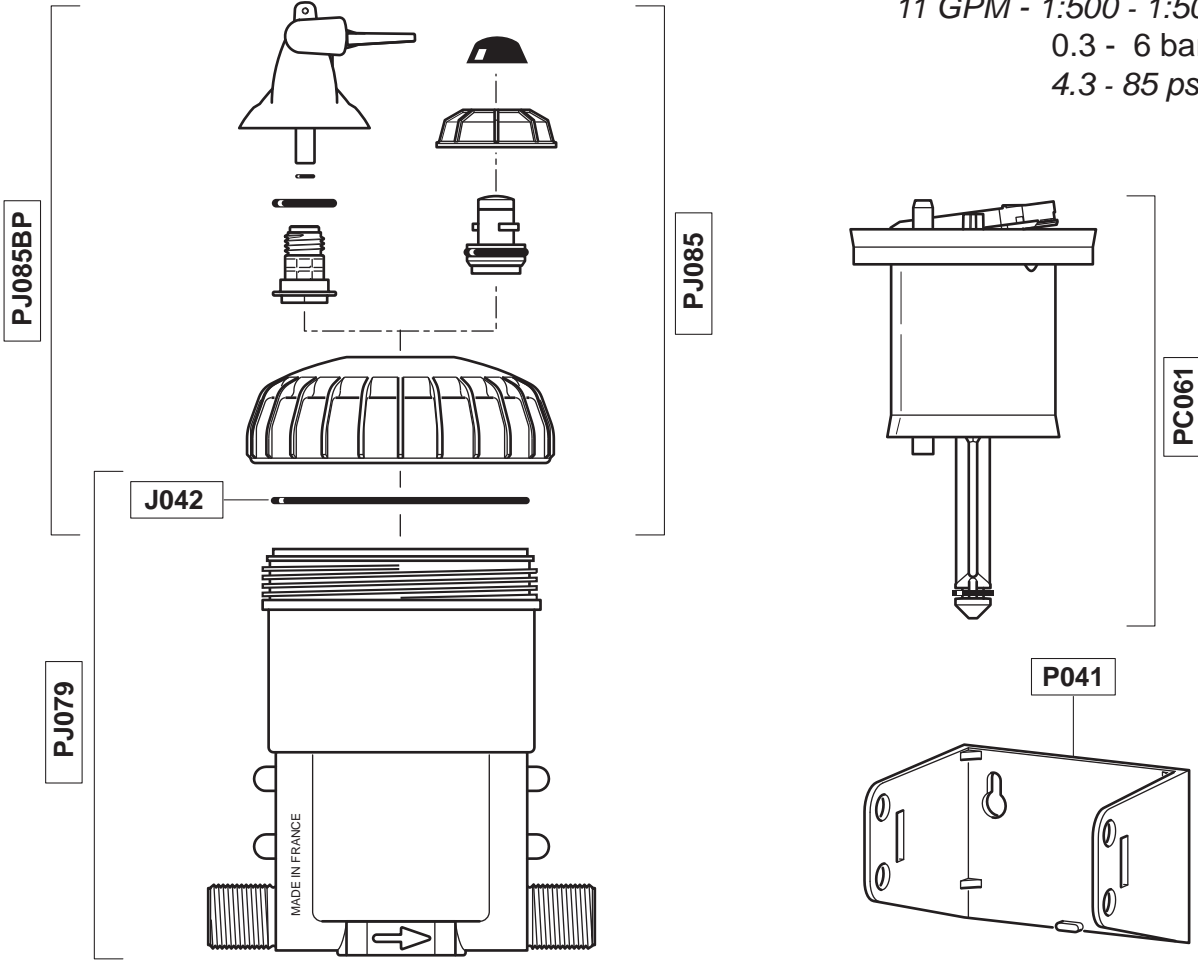
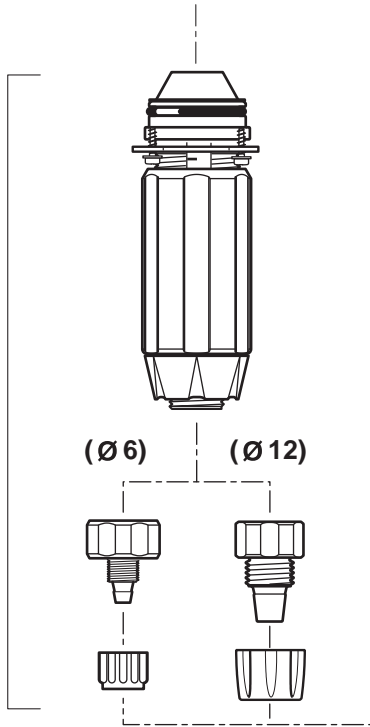


# D25RE2

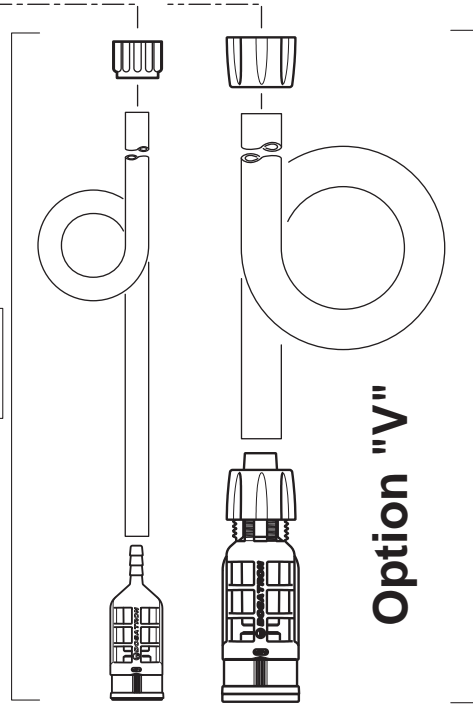
2.5 m<sup>3</sup>/h - 0.2 - 2%  
 11 GPM - 1:500 - 1:50  
 0.3 - 6 bar  
 4.3 - 85 psi



CD072 (Ø 6)  
 CD072V (Ø 12)



MP004



MP104

