

## RDL 4"

### Applications

The RDL disk filter station is composed of two or more Rotodisk filters with double heads, a filter equipped with a particular mechanical and hydraulic system that allows its automatic backwashing. Adequately assembled in series with use of hydraulic valves and a controller, they allow continuity of the irrigation cycle, reduced water waste and reduced maintenance necessary on the station. The RDL station is mainly used as primary filtration of water particularly weighted with suspended particles, or as secondary filtration downstream of the quartzite filters or sand separators. The characteristic of the Rotodisk filter with twin head allows the RDL station to have a high grade of filtration autonomy, thanks to the larger filtration surface guaranteed by the DAF filter. The station is designed to be transportable.

### Materials

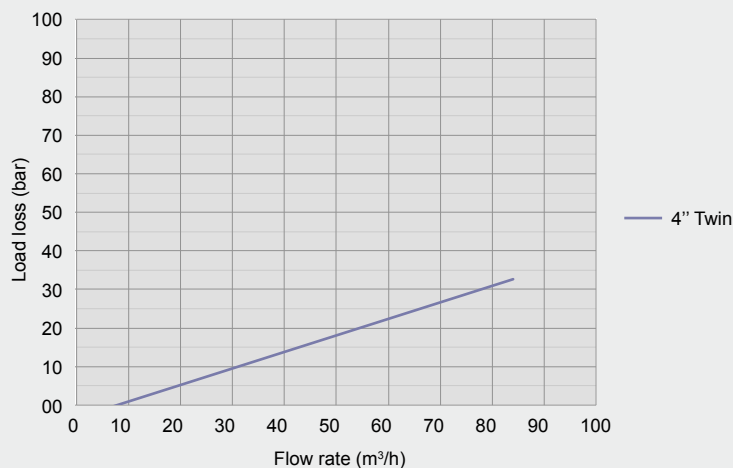
- Filter: polyamide reinforced with fibre glass
- Collectors: HDPE or painted carbon steel
- Hydraulic valves: plastic
- Victaulic fittings: cast iron
- Filtering element: polypropylene disks

### Characteristics

- Maximum working pressure: 10 bar at 20°
- Standard filtration grade: 120 mesh  
(filtration available: 30, 80, 120, 150, 200 mesh)
- Connections: flanged
- The filtering station is supplied with air discharge valves, fittings for backwash water discharge and an automation kit
- Resists acids and fertilisers commonly used in agriculture



### Load loss of single filtering element\*



\*Testing for load loss was carried out with clean water.

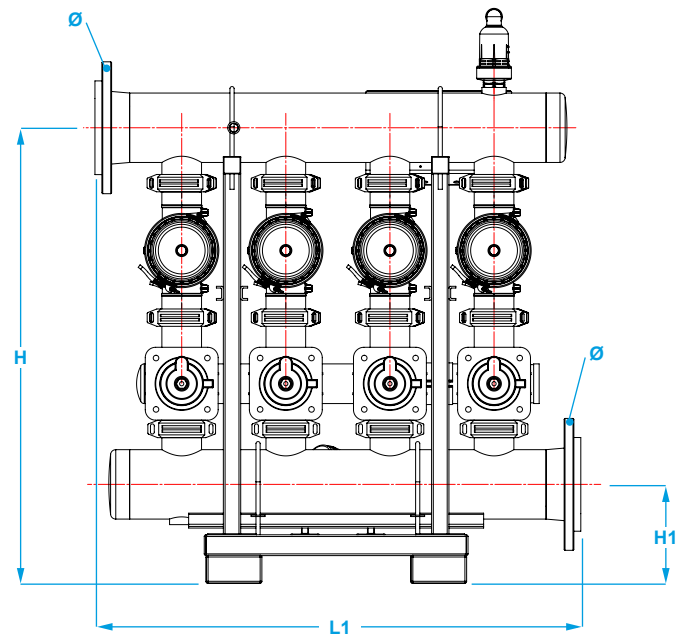
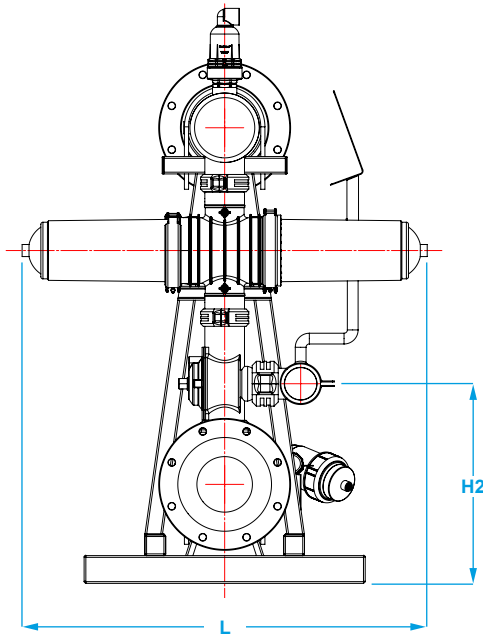
# RDL 4"

## Characteristics

No. filters	Pricelist Ref.	Rec. max. flow rate (m³/h)	Ø collector	Connections	Collector	Discharge
3	IFRDL403RFPEL	192	8" - 200mm	flanged	HDPE	3" - 90mm
4	IFRDL404RFPEL	256	8" - 200mm	flanged	HDPE	3" - 90mm
5	IFRDL405TFPEL	320	10" - 250mm	flanged	HDPE	3" - 90mm
6	IFRDL406TFPEL	384	10" - 250mm	flanged	HDPE	3" - 90mm
7	IFRDL407TFPEL	448	10" - 250mm	flanged	HDPE	3" - 90mm
8	IFRDL408VFPEL	512	12" - 315mm	flanged	HDPE	3" - 90mm
9	IFRDL409VFPEL	576	12" - 315mm	flanged	HDPE	3" - 90mm
10	IFRDL410VFPEL	640	12" - 315mm	flanged	HDPE	3" - 90mm

## Dimensions

Ø (inches - DN)	L (mm)	L1 (mm)	H (mm)	H1 (mm)	H2 (mm)
DN200	1240	1120	----	----	----
DN200	1240	1420	----	----	----
DN250	1240	1720	----	----	----
DN250	1240	2020	----	----	----
DN250	1240	2320	----	----	----
DN300	1240	2620	----	----	----
DN300	1240	2920	----	----	----
DN300	1240	3220	----	----	----



## Components

N°	Description
1	air release valve
2	outlet collector
3	filter cover
4	filtering cartridge
5	metal ring
6	filter body
7	hydraulic relay
8	3-way valve 4"
9	discharge collector
10	automation bracket
11	victaulic fitting 4"
12	support structure
13	inlet collector
14	station base
15	cover o-ring

