

TGG/TGF

Applications

Secondary filtration, safety filtration. The disk filter allows high efficiency and filtration precision. It can be installed in wells or outdoors thanks to the excellent UV ray resistance.

Materials

- Body: polyamide reinforced with fibre glass
- Cover: polyamide reinforced with fibre glass
- Closure element: polyamide ring nut
ring in stainless steel AISI 304
- Filtering element:
 - mesh in stainless steel AISI 304 with polypropylene structure
 - mesh in polyester with structures in stainless steel AISI 304
 - polypropylene disks
- Gaskets: NBR
- Disks support: glass reinforced polyamide

Characteristics

- Maximum working pressure: 10 bar at 20°
- Standard filtration grade: 120 mesh
(filtration available: 50, 80, 150, 200 mesh)
- Types of connection: threaded, victaulic or combined
- Manometer coupling: Ø1/4" female
- Installation: on line or at right angle

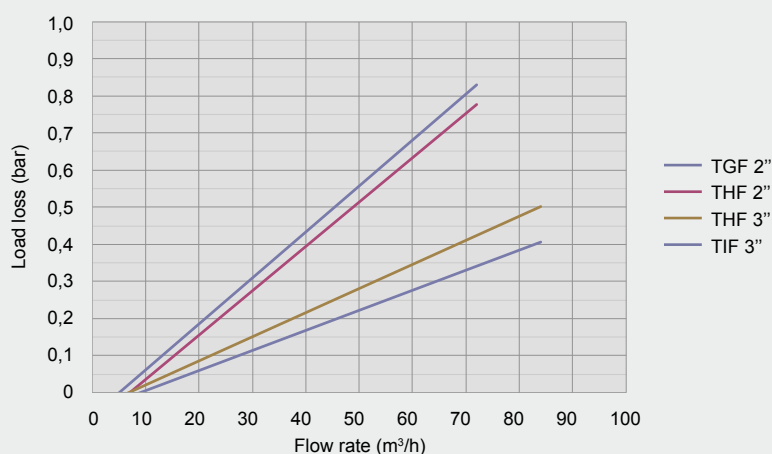


TGG
with ring nut



TGF
with S.S. ring

Load loss*



*Testing for load loss was carried out with clean water.

TGG/TGF

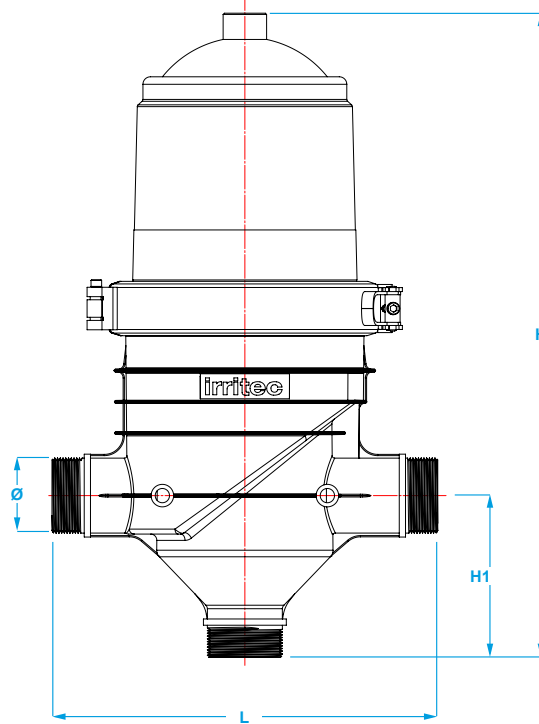
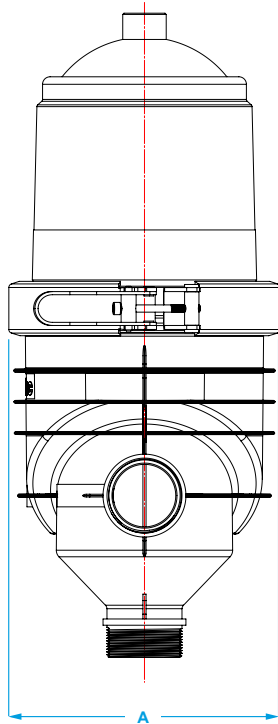
Technical data

Couplings	Pricelist ref.	Filtering cartridge	Rec. max. flow rate (m ³ /h)	Filtration area (cm ²)
2"	IFTG#GIL	s.s.	30	916
	IFTG#GDL	disk		
	IFTG#GEL	rotodisk™		

Replace # with G (ring nut) or F (ring)

Dimensions

Ø (inches)	L (mm)	A (mm)	H (mm)	H1 (mm)	Weight (kg) TGG	Weight (kg) TGF
2"	327	250	510	130	5,7	5,3



Components

Number	Description
1A	stainless steel ring cover
1B	ring nut cover
2	or cover
3	stainless steel closure ring
4	complete stainless steel screen cartridge
5	complete stainless steel disk cartridge
6	Rotodisk® cartridge (with deflector)
7A	closure body with ring
7B	closure body with ring nut

