

YEV

Applications

Secondary filtration in systems for irrigation, safe filtration. The disk filter allows high efficiency and filtration precision. It can be installed in wells, outdoors or on fertigation machines.

Materials

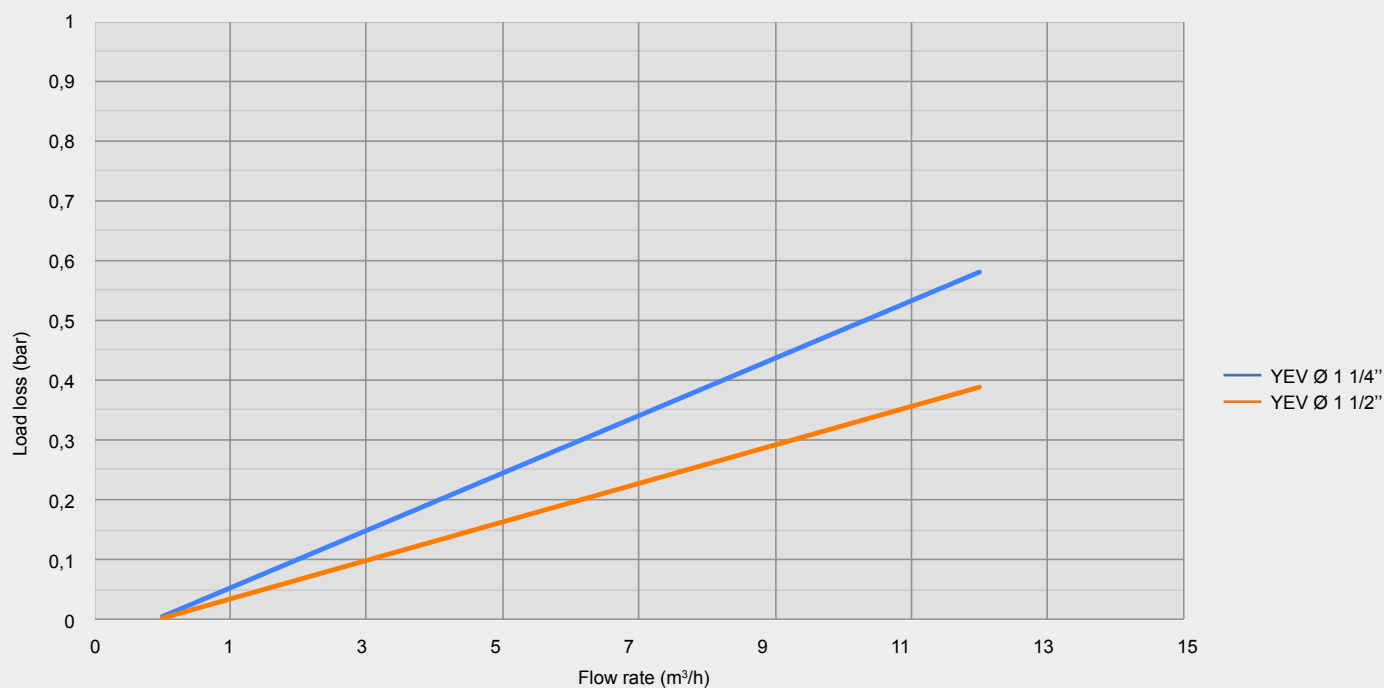
- Body: polypropylene
- Cover: polypropylene
- Filtering element:
 - mesh in stainless steel AISI 304 with polypropylene structure
 - polyester mesh with polypropylene structure
 - polypropylene disks
- Gaskets: NBR

Characteristics

- Maximum working pressure: 10 bar at 20°
- Standard filtration grade: 120 mesh
(filtration available: 50, 80, 120, 150, 200 mesh)
- Standard bypass: male threaded BSP and NPT
- The filter can be supplied with the cover fitted (no discharge) or punched (with discharge) with threaded cap
- Resists acids and fertilisers commonly used in agriculture



Load loss*



*Testing for load loss was carried out with clean water.

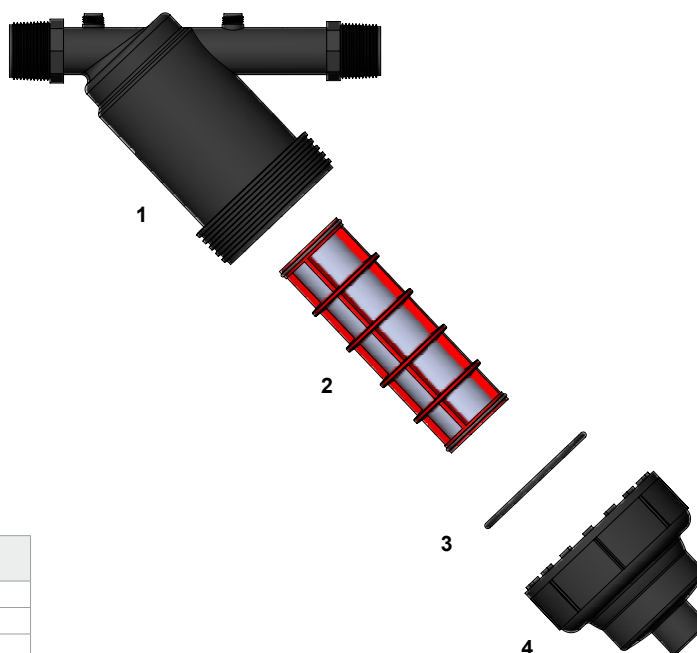
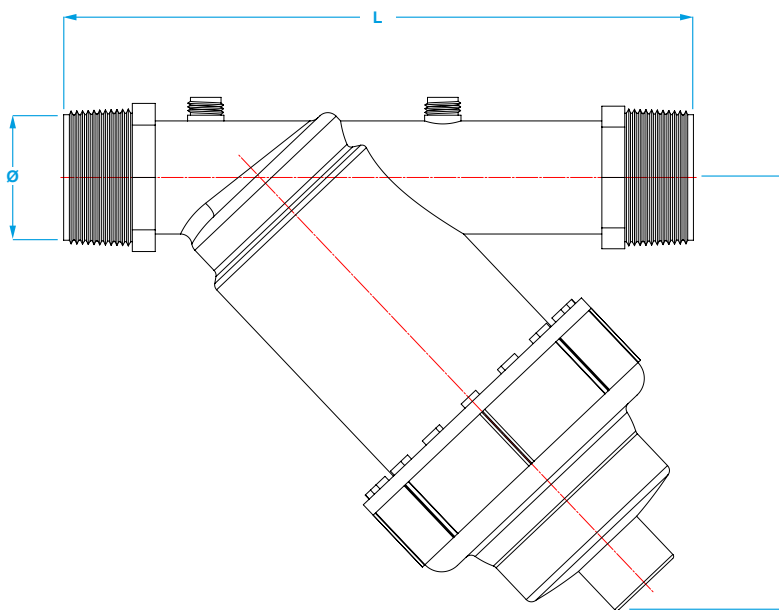
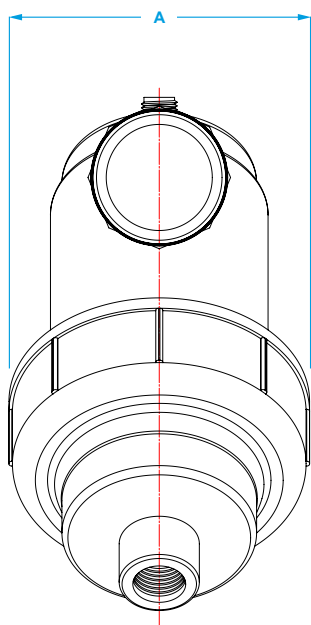
YEV

Technical data

Couplings	Pricelist ref.	Filtering cartridge	Rec. max. flow rate (m ³ /h)	Filtration area (cm ²)
1"1/4	IFYEVEIL	s.s.	10	220
	IFYEVEPL	polyester		260
	IFYEVEDL	disk		260
1"1/2	IFYEVFIL	s.s.	10	220
	IFYEVFPL	polyester		260
	IFYEVFDL	disk		260

Dimensions

Ø (inches)	L (mm)	A (mm)	H (mm)	Weight (g)
1"1/4	220	103	152	370
				525
1"1/2	220	103	152	370
				525



Components

Number	Description
1	filter body
2	complete filtering cartridge
3	cover gasket
4	cover